

# Millinox MXPM

**Art. no.** MXPM  
**GTIN** 7393069020359



**Overall dimension in mm** 300 x 135 x 450  
**Material** AISI 304  
**Material thickness in mm** 1,25/1,00  
**Installation height in mm** 2000 til topp  
**Gross weight in kg** 4.50  
**Net weight in kg** 4.29  
**Weight, pallet** 325.00  
**Pcs per pallet** 50  
**Design** OddThorsen  
**Made in** Norway

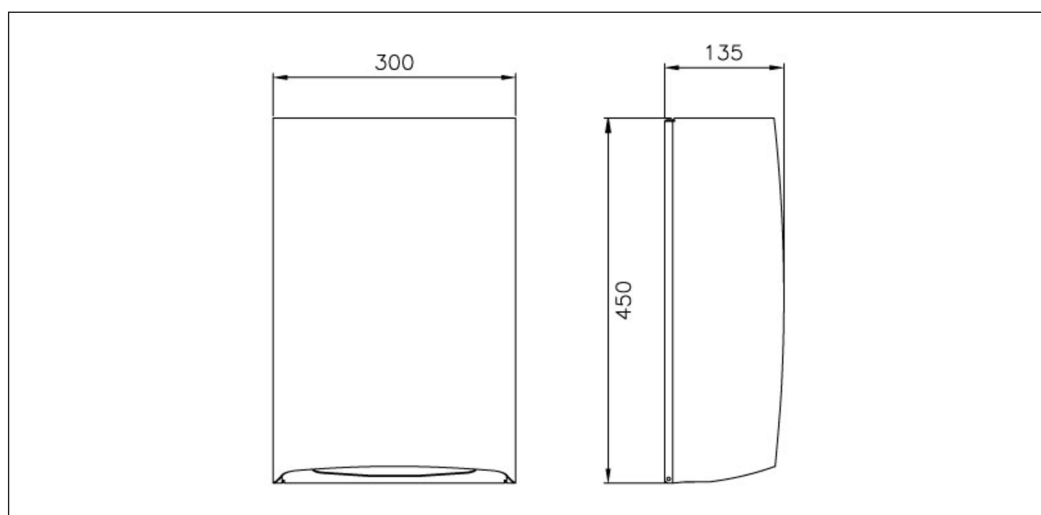
## Description

Millinox Paper dispenser in stainless steel, for wall mounting. Suitable for all standard paper sizes.

Satin finish.

## Installation

Fix the product to the wall by using the four screws supplied with the product. Standard procedure is to use the back plate as drill template.



# Installation MXPM

## ASSEMBLY:

Included in the box:

- \* Paper dispenser
- \* Assembly equipment
- \* Paper guides 2 pcs
- \* Key

Fix the product to the wall by using the four screws supplied with the product. Standard procedure is to use the back plate as drill template.

## SPARE PARTS:

Lock to dispenser: 91110  
Assembly equipment: YMX07

## MAINTENANCE:

Several of our products are delivered entirely or partly covered with plastic wrapping. This wrapping protects the products during transport. This wrapping must be removed before using the products.

In order for the product to retain its original quality and appearance, regular cleaning is recommended. Use mild soap or products specifically designed for stainless steel and clean water. Then wipe the surface

with a dry cloth. Never use detergents containing chlorine, iodine, fluoride or abrasives. Also avoid contact with acidic solutions and other substances incompatible with stainless steel. Remember that food stuffs and skin care products may contain such substances; e.g. ketchup, juice, salt, some cleansers, nail polish, etc. Promptly remove spills of such products.

\* Do not allow water or other liquid to dry in. This is to avoid staining the surface.

\* Even though stainless steel can withstand harsh treatment, it will easily be scratched by sharp objects. For products with polished (brushed) finishes, this will be very visible when the product is new, but after a period of use, this will be negated as the steel loses its lustre. On surfaces with satin and polished finishes, the scratches will always be visible. Never use scouring powder or steel wool on stainless steel. This will scratch the steel and steel wool will leave small particles that can develop into rust spots.

\* Stainless steel must not come into contact with, or be in environments containing, chlorine solutions for long periods of time.

\* Silver polish causes stains which cannot be removed.