

Millinox MXT4

Art. no. MXT4
GTIN 7393069020694



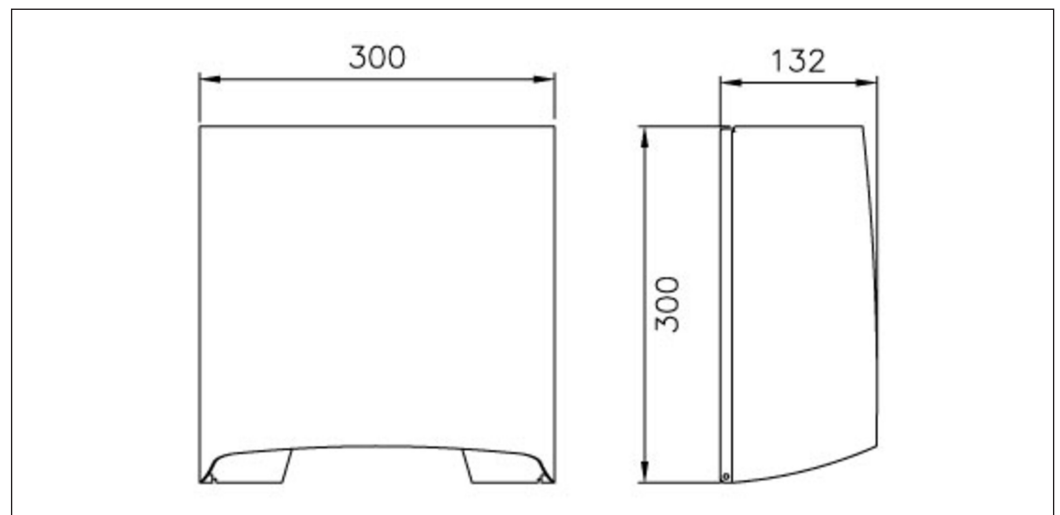
Overall dimension in mm 300 x 132 x 300
Material AISI 304
Material thickness in mm 1,25/1,00
Installation height in mm 1000 til topp
Gross weight in kg 3.50
Net weight in kg 3.00
Weight, pallet 277.00
Pcs per pallet 72
Design OddThorsen

Description

Millinox Toilet roll holder in stainless steel, for wall mounting For big roll, max Ø270mm. Satin finish.

Installation

Fix the product to the wall by using the four screws supplied with the product. Standard procedure is to use the back plate as drill template.



Installation MXT4

Mounting:

Included in box:

- * Dispenser
- * Mounting equipment
- * Key

The dispenser is attached to the wall with four screws. Use the dispenser backplate as a template for drilling.

SPARE PARTS:

Lock: 91110

Mounting equipment: YMX02

Key:

MAINTENANCE:

INTRA PRODUCTS OF STAINLESS STEEL

Several of our products are delivered entirely or partly covered with plastic wrapping. This wrapping protects the products during transport. This wrapping must be removed before using the products.

In order for your Intra stainless steel product AISI304 to retain its original quality and appearance we recommend regular cleaning. Use mild soap or cleaning products specifically designed for stainless

steel and clean water. Then wipe the surface with a dry cloth. Never use detergents containing chlorine, iodine, fluoride or abrasives on stainless steel. Also avoid contact with acid solutions and other substances incompatible with stainless steel. Remember that food and skin care products may contain such substances, e.g. ketchup, juice, salt, certain cleansers, nail polish, etc. Promptly remove spills of such products.

Observe the following:

- * Do not allow water or other liquid to dry in. This is to avoid staining the surface.
- * Even though stainless steel can withstand harsh treatment, it can easily be scratched by sharp objects. For products with normal, polished (brushed) finish, this will be very visible when the product is new, but after a period of use, this will be negated as the steel loses its lustre. For products with satin and polished finishes, the scratches will always be visible. Never use scouring powder or steel wool on stainless steel. In addition to scratching the steel, wire wool will leave behind small particles that may develop into rust spots which, over time, may corrode the steel.
- * Stainless steel must not come into contact with, or be in environments containing, chlorine solutions for long periods of time.
- * Silver polish causes stains which cannot be removed.