

Wash basin RS72

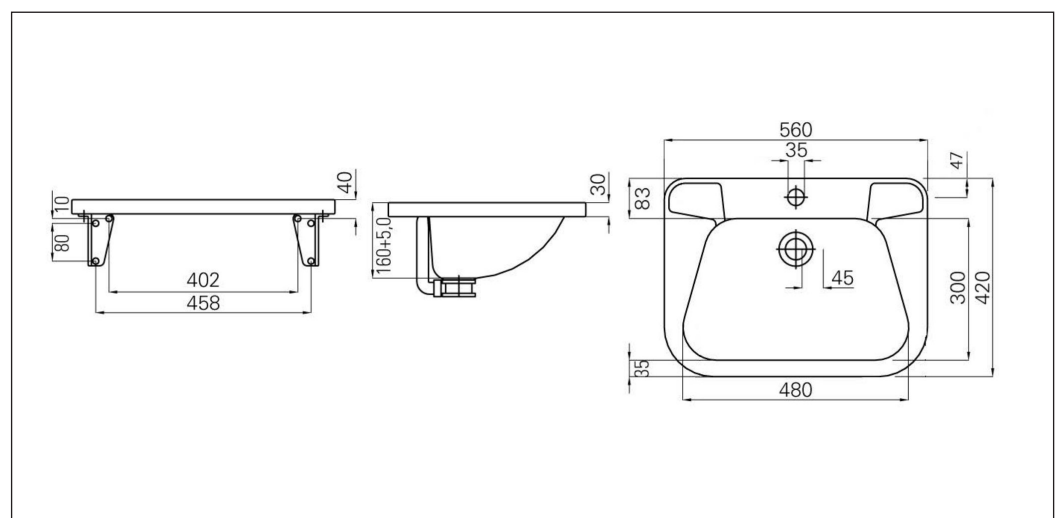
Art. no. RS72STD
GTIN 7055570001011



Overall dimension in mm	560 x 420 x 199
Depth in mm	160
Material	AISI 304
Material thickness in mm	0,9
Installation height in mm	850
Product load in N	1000
Gross weight in kg	3.00
Weight, pallet	97.00
Pcs per pallet	24

Description

Hand Wash Basin in stainless steel 18/10, for wall mounting. Delivered without wall brackets, but with waste and overflow kit. With tap hole.



Installation RS72

ASSEMBLY:

Included in the box:

Washstand

Overflow kit

For mounting, two wall consoles and a valve are also required. Ordered separately.

Ensure that you have all the parts before assembly begins.

RS72 is delivered covered with plastic wrapping. This wrapping protects the products during transport. The wrapping must be removed before using the products.

Assemble the overflow kit and the valve for the washstand. Also assemble any mixer tap. Then affix the consoles with T-screws to the washstand's lower flange and affix the washstand to the wall with four mounting screws.

Also provided:

Consoles: 91008

Valve: 79018

SPARE PARTS:

Overflow: 79025

MAINTENANCE:

INTRA PRODUCTS OF STAINLESS STEEL

Several of our products are delivered entirely or partly covered with plastic wrapping. This wrapping protects the products during transport. This wrapping must be removed before using the products.

In order for the product to retain its original quality

and appearance, regular cleaning is recommended. Use mild soap or products specifically designed for stainless steel and clean water. Then wipe the surface with a dry cloth.

Never use detergents containing chlorine, iodine, fluoride or abrasives. Also avoid contact with acidic solutions and other substances incompatible with stainless steel. Remember that foodstuffs and skin care products may contain such substances; e.g. ketchup, juice, salt, some cleansers, nail polish, etc. Promptly remove spills of such products.

Observe the following:

- * Do not allow water or other liquid to dry in. This is to avoid staining the surface.
- * Even though stainless steel can withstand harsh treatment, it will easily be scratched by sharp objects. For products with polished (brushed) finishes, this will be very visible when the product is new, but after a period of use, this will be negated as the steel loses its lustre. On surfaces with satin and polished finishes, the scratches will always be visible. Never use scouring powder or steel wool on stainless steel. This will scratch the steel and steel wool will leave small particles that can develop into rust spots.
- * Stainless steel must not come into contact with, or be in environments containing, chlorine solutions for long periods of time.
- * Silver polish causes stains which cannot be removed.