

# Wash basin ED2

**Art. no.** ED2L  
**GTIN** 7055570014738



**Made in** Norway

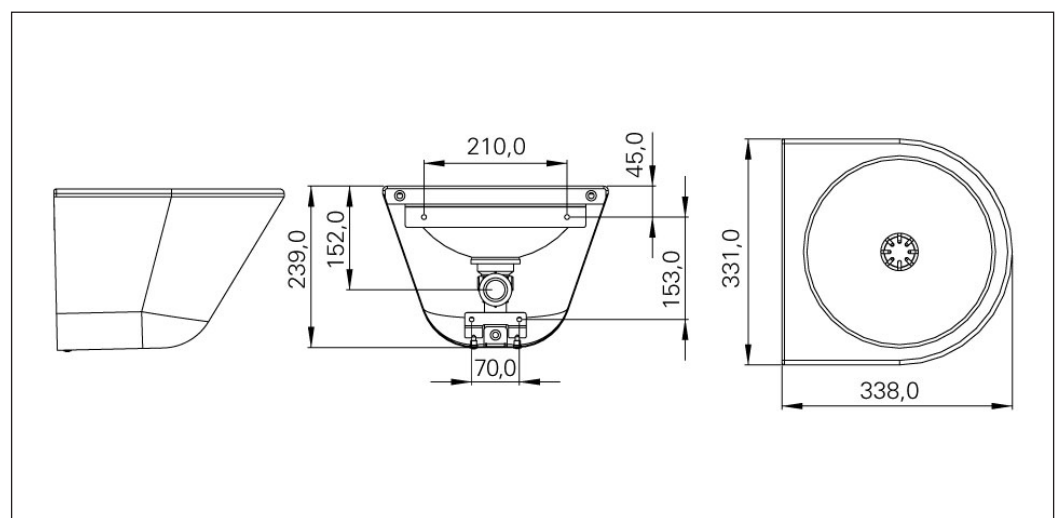
## Description

Vandal resistant Hand Wash Basin in stainless steel 18/10, for wall mounting. Complete with closed shroud for concealed in- and outlet. Supplied with integrated waste and water trap.

Hand Wash Basin ED2 is supplied with taphole on the left hand side.

## Installation

Fasten the top and bottom fixing bracket to the wall. Connect water trap to the outlet. Place the basin onto the top bracket and finally secure to the lower bracket.



# Installation ED2

## Included in the box:

- \* Washstand
- \* Valve 1 1/4" bottom section
- \* Gasket, Celleprene
- \* Water trap 1 1/4" x 32 mm
- \* Pipe 32 mm - 150 in length
- \* Set screw M6x25 A4 x 2
- \* Suspension strip
- \* Wall bracket
- \* Assembly kit
- \* Assembly instructions with template

Ensure that you have all the parts before assembly begins. (Any mixer tap must be mounted on the sink before the sink is mounted on the wall)

Attach the template to the wall at the correct height for the sink and use this to pre-drill the holes for the hanging strip and wall bracket.

Mount the suspension strip and wall bracket on the wall. Assemble the parts of the outlet and connect the siphon to the washstand. (The Celleprene gasket must be between the valve and the sink) (Mount the mixer tap on the sink and water inlet). Hang the sink on the suspension strip. Affix the sink to the wall with 2 set screws in the wall bracket on the underside of the cover.



# Maintenance ED2

## SPARE PARTS:

Valve 1 1/4" bottom section: 79004  
Gasket, Celleprene: 91093  
Water trap 1 1/4" x 32 mm: 78088  
Pipe 32 mm - 150 in length: 78090  
Set screw M6x25 A4: 86160  
Suspension strip: ZED2OPP  
Wall bracket: ZED2VF  
Assembly kit: YMX01  
Assembly instructions with template: 76272

## MAINTENANCE:

### INTRA PRODUCTS OF STAINLESS STEEL

In order for your Intra stainless steel product AISI304 to retain its original quality and appearance we recommend regular cleaning. Use mild soap or cleaning products specifically designed for stainless steel and clean water. Then wipe the surface with a dry cloth.

Never use detergents containing chlorine, iodine, fluoride or abrasives on stainless steel. Also avoid contact with acid solutions and other substances

incompatible with stainless steel. Remember that food and skin care products may contain such substances, e.g. ketchup, juice, salt, certain cleansers, nail polish, etc. Promptly remove spills of such products.

Observe the following:

- \* Do not allow water or other liquid to dry in. This is to avoid staining the surface.
- \* Even though stainless steel can withstand harsh treatment, it can easily be scratched by sharp objects. For products with normal, polished (brushed) finish, this will be very visible when the product is new, but after a period of use, this will be negated as the steel loses its lustre. For products with satin and polished finishes, the scratches will always be visible. Never use scouring powder or steel wool on stainless steel. In addition to scratching the steel, wire wool will leave behind small particles that may develop into rust spots which, over time, may corrode the steel.
- \* Stainless steel must not come into contact with, or be in environments containing, chlorine solutions for long periods of time.
- \* Silver polish causes stains which cannot be removed.