

Millinox MXA1

Art. no. MXA1
GTIN 7393069020205



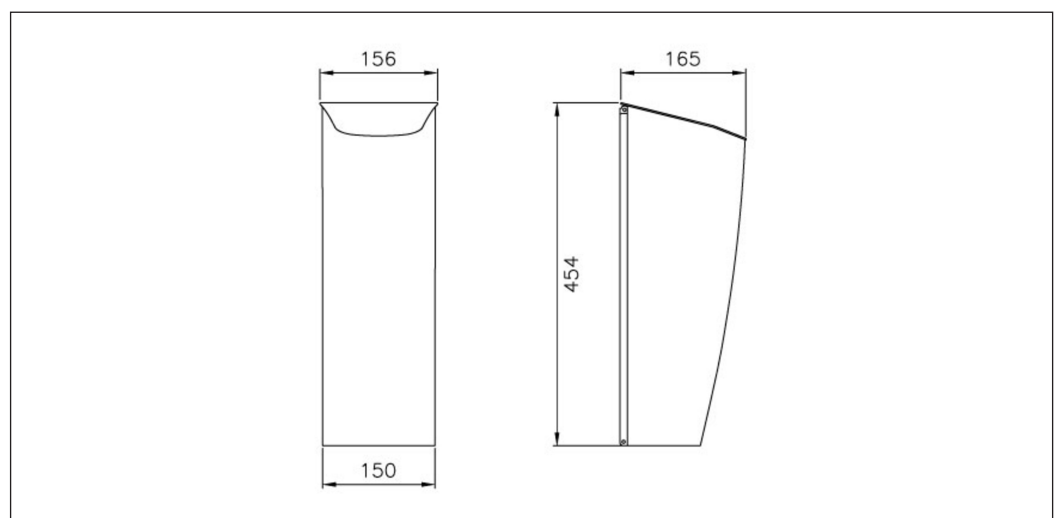
Overall dimension in mm 156 x 165 x 454
Volume in L 6,5
Material AISI 304
Installation height in mm 600 til topp
Gross weight in kg 3.50
Net weight in kg 2.19
Weight, pallet 349.00
Pcs per pallet 81
Design OddThorsen

Description

Millinox Waste bin in stainless steel, for wall mounting, with lid. For sanitary towels. volume 7,5 litres. Satin finish.

Installation

Fix the product to the wall by using the four screws supplied with the product. Standard procedure is to use the back plate as drill template.



Installation MXA1

MOUNTING:

included in box:

Hygiene bin with lid
Mounting equipment

Use the back plate of the hygiene bin for pre drill of fixing holes for mounting on the wall. Fix the bin with four fixing screws.

Lift up the rear clamp and then the front clamp. Fold the bag around the clamps and twist the bag corners when attached between the two clamps. Push down the front bracket first, then the rear clamp so that the two twisted bag corners are locked. The bag should be so long that it reaches the bottom of the container.

SPARE PARTS:

Mounting equipment: YMX02

MAINTENANCE:

INTRA PRODUCTS OF STAINLESS STEEL

Several of our products are delivered entirely or partly covered with plastic wrapping. This wrapping protects the products during transport. This wrapping must be removed before using the products.

In order for your Intra stainless steel product AISI304 to retain its original quality and appearance we

recommend regular cleaning. Use mild soap or cleaning products specifically designed for stainless steel and clean water. Then wipe the surface with a dry cloth. Never use detergents containing chlorine, iodine, fluoride or abrasives on stainless steel. Also avoid contact with acid solutions and other substances incompatible with stainless steel. Remember that food and skin care products may contain such substances, e.g. ketchup, juice, salt, certain cleansers, nail polish, etc. Promptly remove spills of such products.

Observe the following:

- * Do not allow water or other liquid to dry in. This is to avoid staining the surface.
- * Even though stainless steel can withstand harsh treatment, it can easily be scratched by sharp objects. For products with normal, polished (brushed) finish, this will be very visible when the product is new, but after a period of use, this will be negated as the steel loses its lustre. For products with satin and polished finishes, the scratches will always be visible. Never use scouring powder or steel wool on stainless steel. In addition to scratching the steel, wire wool will leave behind small particles that may develop into rust spots which, over time, may corrode the steel.
- * Stainless steel must not come into contact with, or be in environments containing, chlorine solutions for long periods of time.
- * Silver polish causes stains which cannot be removed.