

Millinox MXT2-140

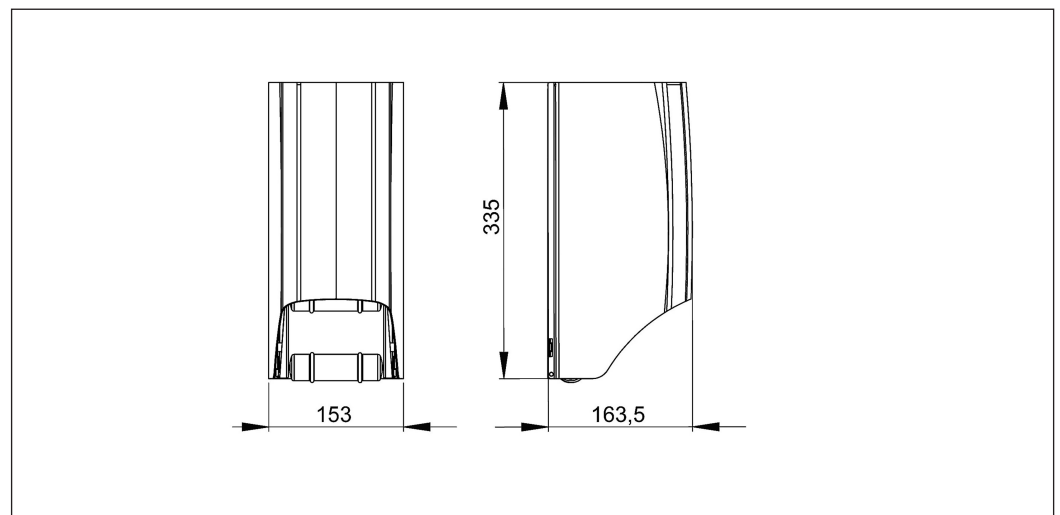
Art. no. MXT2-140
GTIN 7393069020663



Overall dimension in mm 152 x 163 x 335
Material AISI 304
Material thickness in mm 1,0
Installation height in mm 1000 til topp
Gross weight in kg 2.50
Weight, pallet 289.00
Pcs per pallet 98
Design OddThorsen

Description

Millinox MXT2-140 is a toilet roll holder in stainless steel for use with two toilet paper rolls with max Ø140mm. Toilet roll number one will be lifted down to the lower level when it is empty, and provides access to the roll number two. Satin finish



Installation MXT2-140

ASSEMBLY:

Included in the box:
Toilet roll dispenser
Spindle for toilet roll 2 pcs
O-rings for spindlers 4 pcs
Key
Assembly equipment

Fix the product to the wall by using the four screws supplied with the product. Standard procedure is to use the back plate as drill template. Attach the two halves of the spindles and put on the two O-rings on each spindle. Place the toilet rolls on the spindles, and make sure they roll correctly in relation to the instructions of the dispenser when placing the toilet rolls in the dispenser. If the toilet rolls rolls slowly on the spindle, the two O-rings on each spindle can be removed.

If the toilet roll has a large diameter core the two O-rings are needed as a "brake" when consumption of the paper. If the toilet rolls have a small core the paper will easier be pulled out of the dispenser by removing these two O-rings on each spindle.

When the lower toilet roll is empty it should be pushed slightly up and back in the dispenser, and will then fall into the bottom of the dispenser. This allows the roll number two to fall down ready for use. The bottom roll will be at the bottom of the dispenser until the cover opens and the spindle is refilled again and placed from the top of the dispenser ready for use.

SPARE PARTS

Lock for dispenser: 91110
Assembly equipment: YMX02
Spindle with O-rings: Spindel

MAINTENANCE:

INTRA PRODUCTS OF STAINLESS STEEL

Several of our products are delivered entirely or partly covered with plastic wrapping. This wrapping protects the products during transport. This wrapping must be removed before using the products.

In order for your Intra stainless steel product AISI304 to retain its original quality and appearance we recommend regular cleaning. Use mild soap or cleaning products specifically designed for stainless steel and clean water. Then wipe the surface with a dry cloth. Never use detergents containing chlorine, iodine, fluoride or abrasives on stainless steel. Also avoid contact with acid solutions and other substances incompatible with stainless steel. Remember that food and skin care products may contain such substances, e.g. ketchup, juice, salt, certain cleansers, nail polish, etc. Promptly remove spills of such products.

Observe the following:

- * Do not allow water or other liquid to dry in. This is to avoid staining the surface.
- * Even though stainless steel can withstand harsh treatment, it can easily be scratched by sharp objects. For products with normal, polished (brushed) finish, this will be very visible when the product is new, but after a period of use, this will be negated as the steel loses its lustre. For products with satin and polished finishes, the scratches will always be visible. Never use scouring powder or steel wool on stainless steel. In addition to scratching the steel, wire wool will leave behind small particles that may develop into rust spots which, over time, may corrode the steel.
- * Stainless steel must not come into contact with, or be in environments containing, chlorine solutions for long periods of time.
- * Silver polish causes stains which cannot be removed.