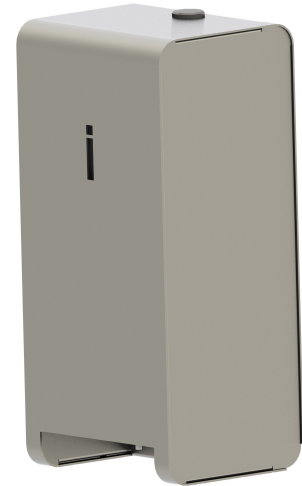


Icon ICSE

Art. no. ICSE
GTIN 7393069020878



Overall dimension in mm 132,5 x 277 x 110
Depth in mm 110
Material AISI 304
Material thickness in mm 1,0
Installation height in mm 1350mm til topp

Description

ICON electrical, touch free soap dispenser in stainless steel.

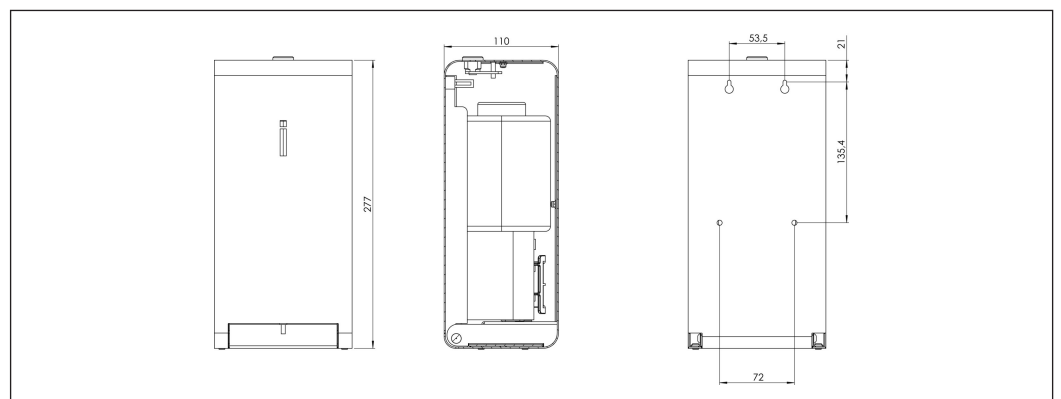
Delivered with a 0,9 litre soap container for refill. Run by 4 x 1,5 V AA batteries.

Suitable for alcogel / hand sanitizer gel.

Installation

Check the following before installation:
There must be sufficient space above the dispenser for inserting the key and to open up the cover with the key. In addition, there must be at least 200mm clearance to the counter top.

Above stainless steel wash basin, the minimum distance is 300mm.



Installation ICSE

MOUNTING INSTRUCTION

Box Contents:

- * Soap dispenser complete with cover, control unit and soap container with dispenser spout.
- * Key

Additional:

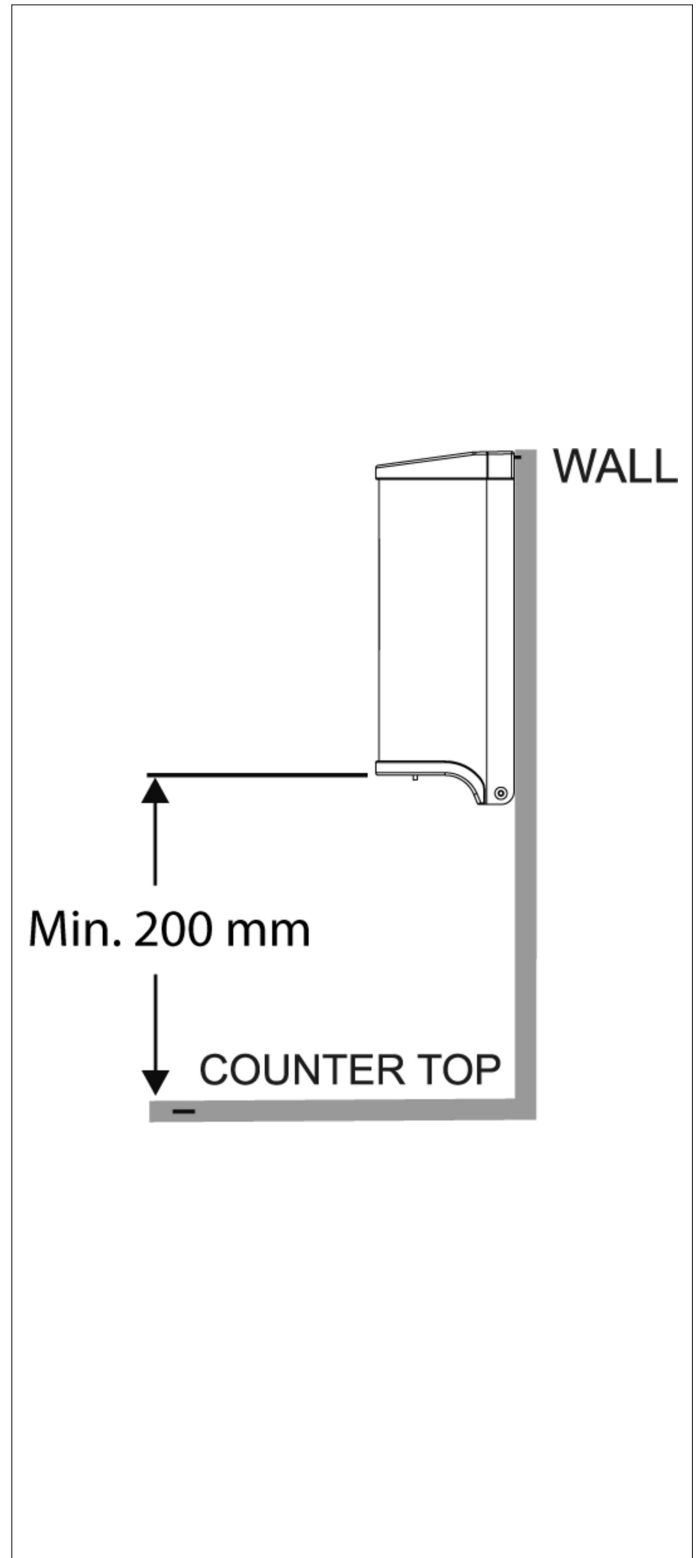
* 4 pcs Alkaline batteries 1,5V AA (Not included)

Use the back plate as template for placement of drilling holes. Open the soap dispenser with supplied key. Remove the soap container by lifting up the spring-loaded cover that keeps the spout in place and lift out the container and spout. Remove the control unit for the pump as well. Fix four mounting screws suitable for the wall construction in the back panel and attach it to the wall. Reinstall the controller. fill the soap container and place the soap container in its place above the control unit. After cleaning the tank and upon initial installation, the spout must be filled with soap. Squeeze the spout until it is completely filled with soap. Make sure that the spout is in tension between the upper and lower part of the control unit by placing by placing the plastic ring by the spout on the lower side of the control unit when it is inserted in place behind the cover. Close the spring-loaded cover which keeps the spout in place. Open the battery door on the side of the control unit (right side) and insert four batteries 1,5V AA size. Test that the soap dispenser works by pressing and holding down the blue activity button on the bottom of the dispenser. This will initiate a blink 3-4 times from the blue led light. Close the battery compartment cover and lock the dispenser. Remove the protection on the spout and place your hands under the soap outlet and repeat sometimes until soap comes out. Make sure everything is working correctly.

Selection of soap

The soap must be free of the following chemicals: Chlorine and alcohol and iodine compounds. The viscosity of the soap must be within the given range and pH should be neutral.

Refill of soap: Soap can be refilled by taking out the soap container, open the lid on the top, clean the tank, refill soap and press the rubber spout sometimes so that the tube is filled with soap. Put soap container in place of the control unit.



Maintenance ICSE

TECHNICAL INFORMATION

Soap viscosity: 1-3000 MPas

Tank size: 0,8 L

Battery: 4 pcs Alkaline 1,5V AA batteries (not included)

Battery life time: 10.000 cycles or 1 year.

Soap consumption per cycle: 0,034 - 0,051 ml

Delay: 500-1k msec

Functional area for sensor: 60±38 mm

Operative room temperature: 5-40°C

Operating mode: Starts automatically when

triggering sensor
Type of pump: Self-contained valve/nozzle

MAINTENANCE OF SOAP DISPENSER

The soap container must be cleaned before every refill- Ensure that there is no solidified soap on the spout, the sensor, on the lid of the soap tank and that the vent hole in the lid is open. the control unit must never be washed under running water or immersed in water. Use a damp cloth for cleaning.

DIAGNOSIS OF BATTERY

Open the dispenser and remove the soap tank from the controller.

1. Press on the little blue button under the control unit and hold it.
2. Observe the LED indicator light. 3-4 blinks indicate battery capacity
3. If the Led indicator light continues to blink, it's time to replace the batteries. Replace all batteries at the same time.

TROUBLESHOOTING

IT DOES NOT COME OUT SOAP:

- a) Check if it is solidified soap or other dirt on the spout and sensor plate. Wash well to make it clean.
- b) Check the soap in the container. Refill if necessary.
- c) Check the batteries.
- d) Check soap quality and that this is within the requirements of applicable soap. Clean the container and fill with the correct soap.
- e) Check that the spout of the dispenser is in tension in the control unit. Remove and place again if this is not the case.
- f) Check that there are no reflections that confuse the sensor. Remove this if necessary-
- g) Check that the protection of the spout is removed (after installation).

Battery LED indicator is not blinking:

The cover of the dispenser must be open for the LED indicator to appear. Replace battery.

Battery LED indicator is blinking continually:

If the led indicator does not stop blinking after 3-4 flashes, it is time to change the batteries. Replace all at once.

It comes to small dose of soap:

Remove the soap container and wash container, spout and lid. Ensure that the hole in the lid is open and also that the spout is open. Then fill the container with new soap of the right quality before the container is repositioned. Check that the spout is in tension and tighten between the upper and lower part of the control unit and that the spring-loaded door is closed.

It is leaking soap from the bottom of the dispenser: Check if there is a hole/crack in the soap container or pipe to the spout. Replace tank if necessary