

# Wash basin ELINDA

**Art. no.** ELINDA  
**GTIN** 7055570017555



<b>Overall dimension in mm</b>	400 x 230 x 111
<b>Depth in mm</b>	100
<b>Bowl dim. in mm</b>	318,5 x 208 x 100mm
<b>Material</b>	AISI304
<b>Material thickness in mm</b>	1,2
<b>Installation height in mm</b>	900
<b>Gross weight in kg</b>	3.78
<b>Net weight in kg</b>	2.64
<b>Weight, pallet</b>	272.00
<b>Pcs per pallet</b>	72

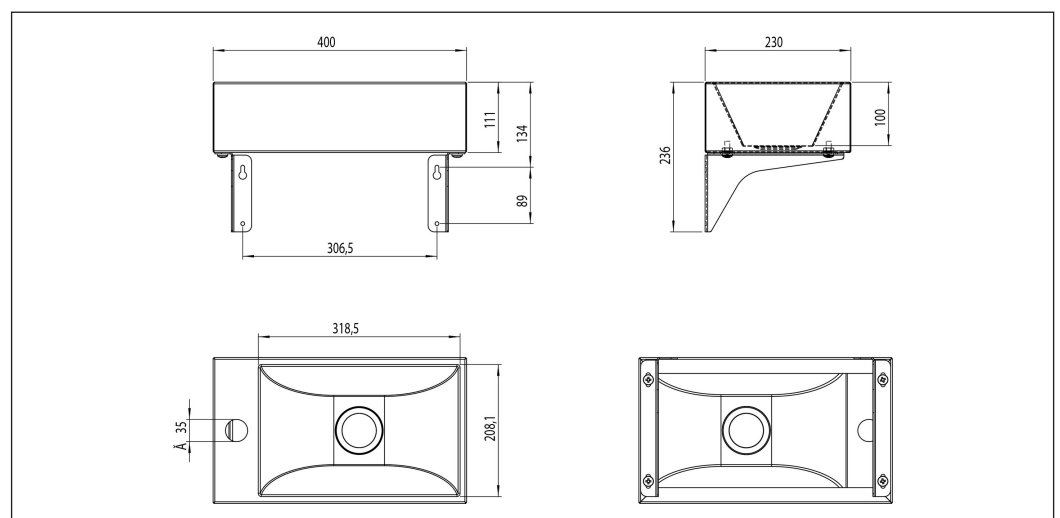
## Description

Rectangular basin for left and right hand side fixing in 1,2mm stainless steel with grinded finish.

Elinda is a very robust basin for optimal space utilization in small toilet rooms.

Delivered complete with taphole, 1 ¼" open waste and wall brackets.

Material: Stainless steel AISI 304.



# Maintenance ELINDA

## INTRA PRODUCTS OF STAINLESS STEEL

In order for your Intra stainless steel product AISI304 to retain its original quality and appearance we recommend regular cleaning. Use mild soap or cleaning products specifically designed for stainless steel and clean water. Then wipe the surface with a drycloth.

Never use detergents containing chlorine, iodine, fluoride or abrasives on stainless steel.

Also avoid contact with acid solutions and other substances incompatible with stainless steel.

Remember that food and skin care products may contain such substances, e.g. ketchup, juice, salt, certain cleansers, nail polish, etc. Promptly remove spills of such products.

Observe the following:

\* Do not allow water or other liquid to dry in. This is

to avoid staining the surface.

\* Even though stainless steel can withstand harsh treatment, it can easily be scratched by sharp objects. For products with normal, polished (brushed) finish, this will be very visible when the product is new, but after a period of use, this will be negated as the steel loses its lustre. For products with satin and polished finishes, the scratches will always be visible. Never use scouring powder or steel wool on stainless steel. In addition to scratching the steel, wire wool will leave behind small particles that may develop into rust spots which, over time, may corrode the steel.

\* Stainless steel must not come into contact with, or be in environments containing, chlorine solutions for long periods of time.

\* Silver polish causes stains which cannot be removed.