

Icon ICTB

Art. no. ICTB
GTIN 7393069021660
DB no. 1862067



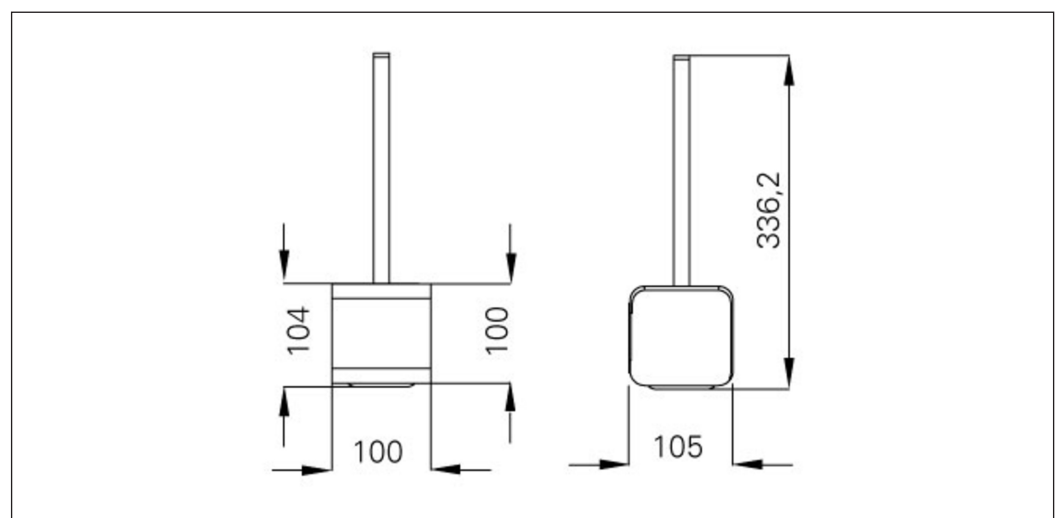
Overall dimension in mm 100 x 105 x 336
Material AISI 304 / PP
(polypropylen)
Material thickness in mm 1,25/1,00
Gross weight in kg 1.20
Weight, pallet 223.00
Pcs per pallet 165
Design OddThorsen

Description

Icon Toilet brush holder in stainless steel. Supplied complete with nylon brush with handle in stainless steel.
Grinded finish.

Installation

Fix the product to the wall by using the two screws supplied with the product. Standard procedure is to use the back plate as drill template.



Installation ICTB

MOUNTING:

Included in the box:

- * Toilet brush holder
- * Toilet brush
- * Mounting equipment

Use the back plate of the toilet brush holder as drilling template for pre drilling of the fixing holes. Fix the holder to the wall with the two fixing screws. Place the inner part in the outer cover and place the toilet brush.

SPARE PARTS:

Mounting equipment: YMXTB
Toilet brush head: 91085-01
Stainless steel inner box: XMXTBLOSV

CLEANING:

The inner box can be removed for easy cleaning. The toilet brush head can be changed when necessary.

Maintenance ICTB

Several of our products are delivered entirely or partly covered with plastic wrapping. This wrapping protects the products during transport. This wrapping must be removed before using the products.

In order for the product to retain its original quality and appearance, regular cleaning is recommended. Use mild soap or products specifically designed for stainless steel and clean water. Then wipe the surface with a dry cloth. Never use detergents containing chlorine, iodine, fluoride or abrasives. Also avoid contact with acidic solutions and other substances incompatible with stainless steel. Remember that food stuffs and skin care products may contain such substances; e.g. ketchup, juice, salt, some cleansers, nail polish, etc. Promptly remove spills of such products.

* Do not allow water or other liquid to dry in. This is

to avoid staining the surface.

* Even though stainless steel can withstand harsh treatment, it will easily be scratched by sharp objects. For products with polished (brushed) finishes, this will be very visible when the product is new, but after a period of use, this will be negated as the steel loses its lustre. On surfaces with satin and polished finishes, the scratches will always be visible. Never use scouring powder or steel wool on stainless steel. This will scratch the steel and steel wool will leave small particles that can develop into rust spots.

* Stainless steel must not come into contact with, or be in environments containing, chlorine solutions for long periods of time.

* Silver polish causes stains which cannot be removed.