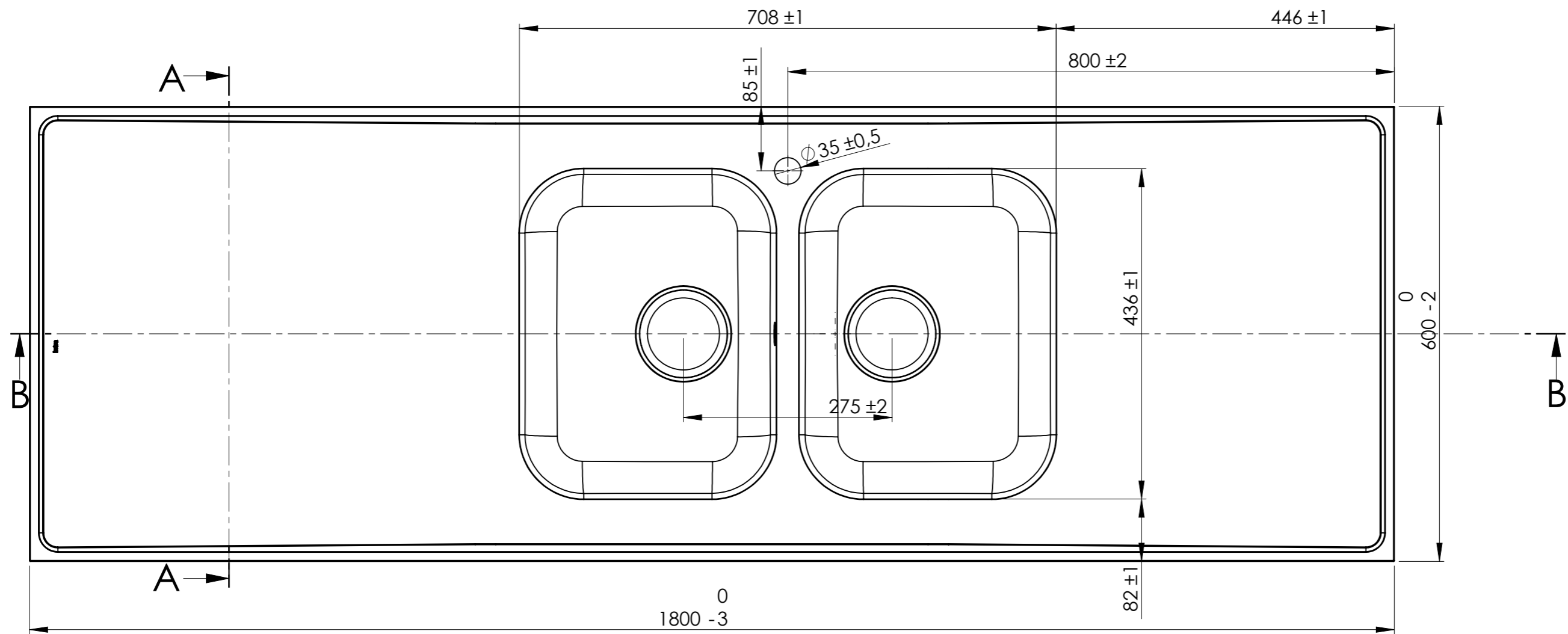
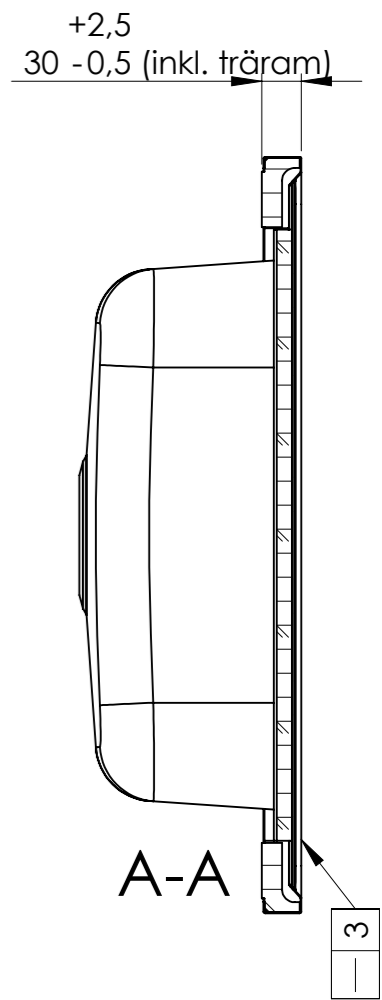


B-B



(Right model shown)



A-A