

Wash basin ED2-0

Art. no. ED2-0
GTIN 7393069022599



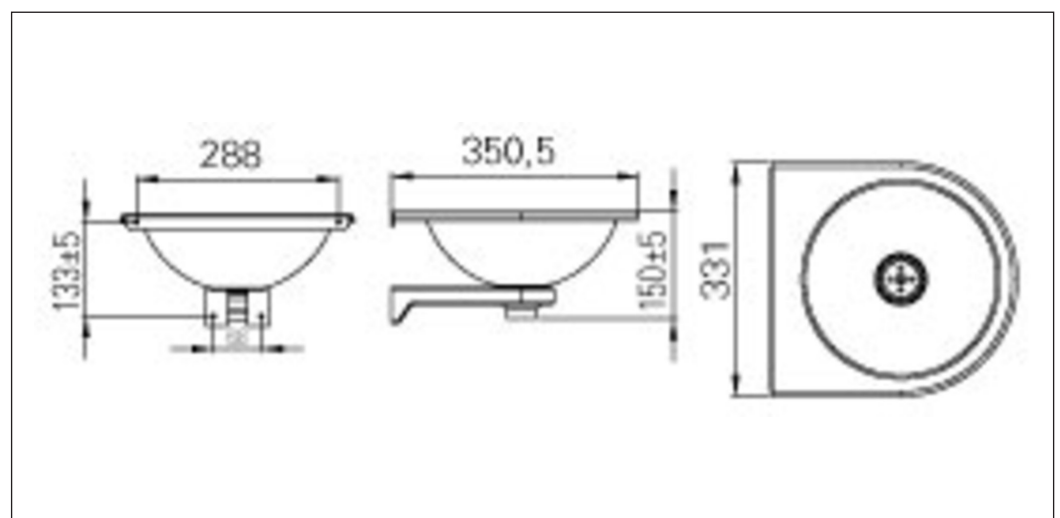
Overall dimension in mm	331 x 350 x 150
Depth in mm	106
Material	AISI 304
Material thickness in mm	1,25
Installation height in mm	850
Gross weight in kg	1.40
Weight, pallet	109.00
Pcs per pallet	60
Made in	Norway

Description

Wall hung basin in stainless steel 18/10, with 1 1/4" grated waste and supporting bracket.

Installation

Fix the waste and supporting bracket to the sink. Then, fix the sink and supporting bracket to the wall.



Installation ED2-0

Included in the box:

- * Washstand
- * 1 1/4" grated valve
- * Gasket, Celleprene
- * Wall bracket
- * Assembly kit

begins.

Assemble the valve and the wall bracket to the basin. Affix the sink to the wall through the fixing holes in the bracket and the upstand on the sink. Fixing screws are included with the product.

Ensure that you have all the parts before assembly

Maintenance ED2-0

MAINTENANCE: INTRA PRODUCTS OF STAINLESS STEEL

In order for your Intra stainless steel product AISI304 to retain its original quality and appearance we recommend regular cleaning. Use mild soap or cleaning products specifically designed for stainless steel and clean water. Then wipe the surface with a dry cloth. Never use detergents containing chlorine, iodine, fluoride or abrasives on stainless steel. Also avoid contact with acid solutions and other substances incompatible with stainless steel. Remember that food and skin care products may contain such substances, e.g. ketchup, juice, salt, certain cleansers, nail polish, etc. Promptly remove spills of such products.

Observe the following:

- * Do not allow water or other liquid to dry in. This is to avoid staining the surface.
- * Even though stainless steel can withstand harsh treatment, it can easily be scratched by sharp objects. For products with normal, polished (brushed) finish, this will be very visible when the product is new, but after a period of use, this will be negated as the steel loses its lustre. For products with satin and polished finishes, the scratches will always be visible. Never use scouring powder or steel wool on stainless steel. In addition to scratching the steel, wire wool will leave behind small particles that may develop into rust spots which, over time, may corrode the steel.
- * Stainless steel must not come into contact with, or be in environments containing, chlorine solutions for long periods of time.
- * Silver polish causes stains which cannot be removed.