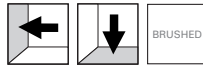


Toilet WCK4

Art. no.
GTIN

WCK4
7055570015438



Toilet WCK4

Overall dimension in mm	360 x 655 x 743
Outlet dimension in mm	100
Material	AISI 304
Installation height in mm	743
Product load in N	4000
Gross weight in kg	18.50
Pcs per pallet	10

Description

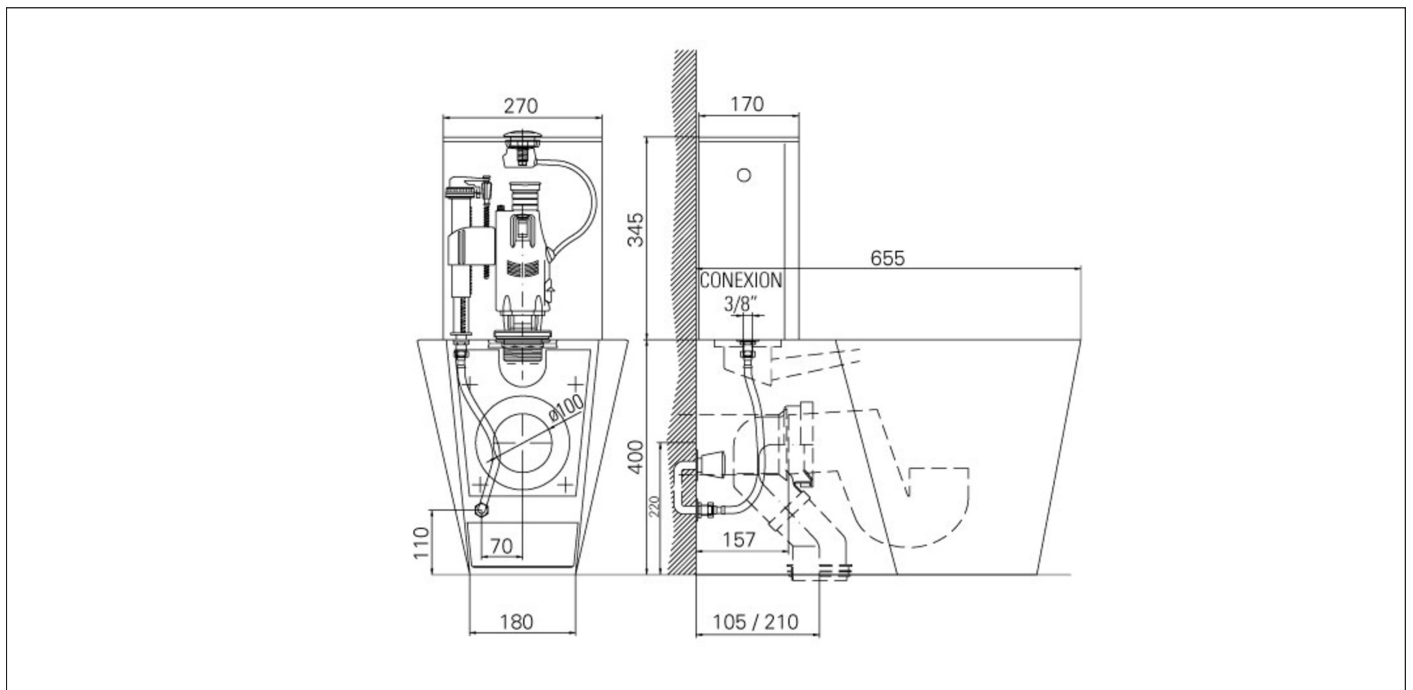
Floor standing toilet in stainless steel. Supplied as standard with 6 liters cistern, black seat (TBTOSEAT9), service hatch and sound reducing foam.

Available as handicap model on request. Art. code: WCK4-HC

Installation

See installation instruction that follows the product.

The installer need a BIT tool for Security Torx Screws M5. 1 BIT tool is included with the toilet, fixed on the installation instruction.



Installation WCK4

For attachment of WCK4 towards drainage: The toilet will be fitted and adjusted with the cistern and inlet / outlet valve in the cistern. Drill for fastening of bolts around drainage measurements according to the enclosed drawing. Also bear for wall mounting 460mm from the wall centered on the drain. Attach the joint sleeve to the drain from the toilet and push the entire toilet into position for attachment. Attach the toilet to the wall and floor. Connect water inlets to the inlet valve in the cistern from the bottom with a 3/8 "connection. Attach the inspection hatch. To attach WCK4 to floor drainage: The toilet should be fixed to the wall to be stable, so adjust the drain to ensure that the toilet can be mounted to the wall in addition to the floor. S-lock is not included, so this must be adapted to the drain on site.

