

Wash basin LVR-32

Art. no. LVR-32-ST
GTIN 7393069023855

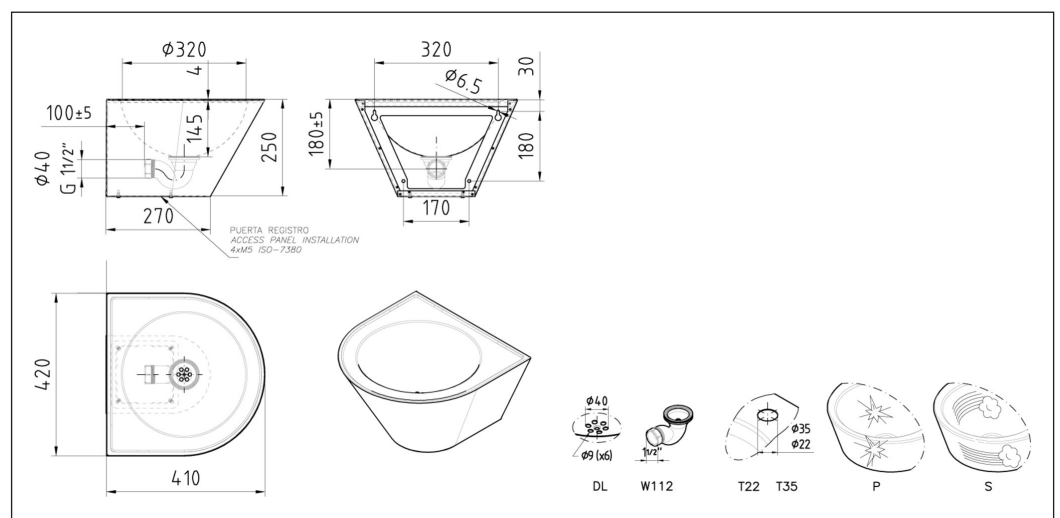


Overall dimension in mm 410 x 420 x 250
Depth in mm 250
Material Stainless steel AISI 304
Material thickness in mm 1 / 1,5
Gross weight in kg 5.20
Net weight in kg 4.00

Description

Wall hung wash basin made of stainless steel. Supplied with a perforated drain (Vandal proof and hygienic without plug). A vandal-proof waste valve and bottle trap of 1 1/2". With removable inspection panel with security screws at the bottom.

LVR-32-ST without tap hole. LVR-32-ST-R with Ø35mm tap hole on the right side.



Installation LVR-32

See drawing.

