

# Wash basin LVR-32

**Art. no.** LVR-32-STR  
**GTIN** 7393069023862

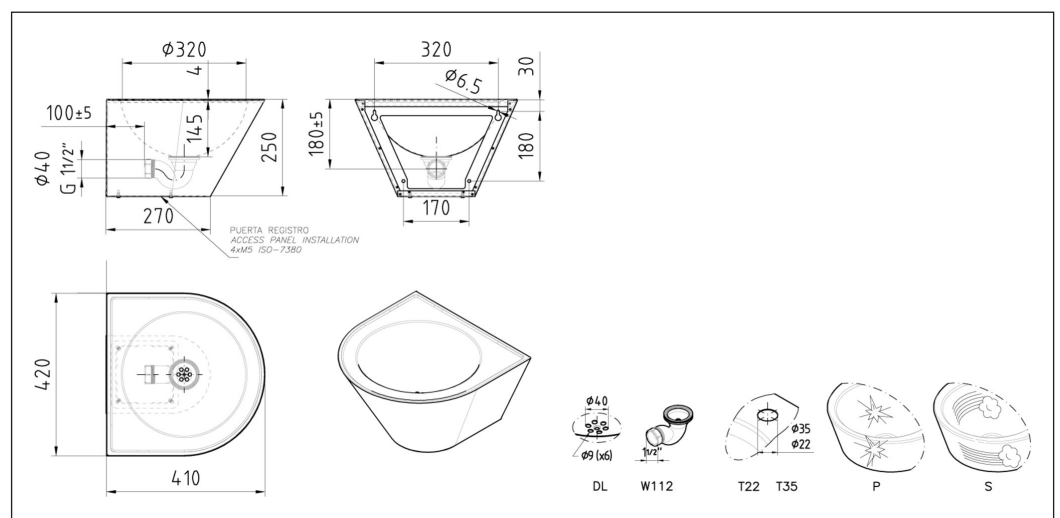


<b>Overall dimension in mm</b>	410 x 420 x 250
<b>Depth in mm</b>	250
<b>Material</b>	Stainless steel AISI 304
<b>Material thickness in mm</b>	1 / 1,5
<b>Gross weight in kg</b>	5.20
<b>Net weight in kg</b>	4.00

## Description

Wall hung wash basin made of stainless steel. Supplied with a perforated drain (Vandal proof and more hygienic without plug). A vandal-proof waste valve and bottle trap of 1 1/2". With removable inspection panel with security screws at the bottom.

LVR-32-ST without tap hole. LVR-32-STR with Ø35mm tap hole on the right side.



# Installation LVR-32

See drawing.

