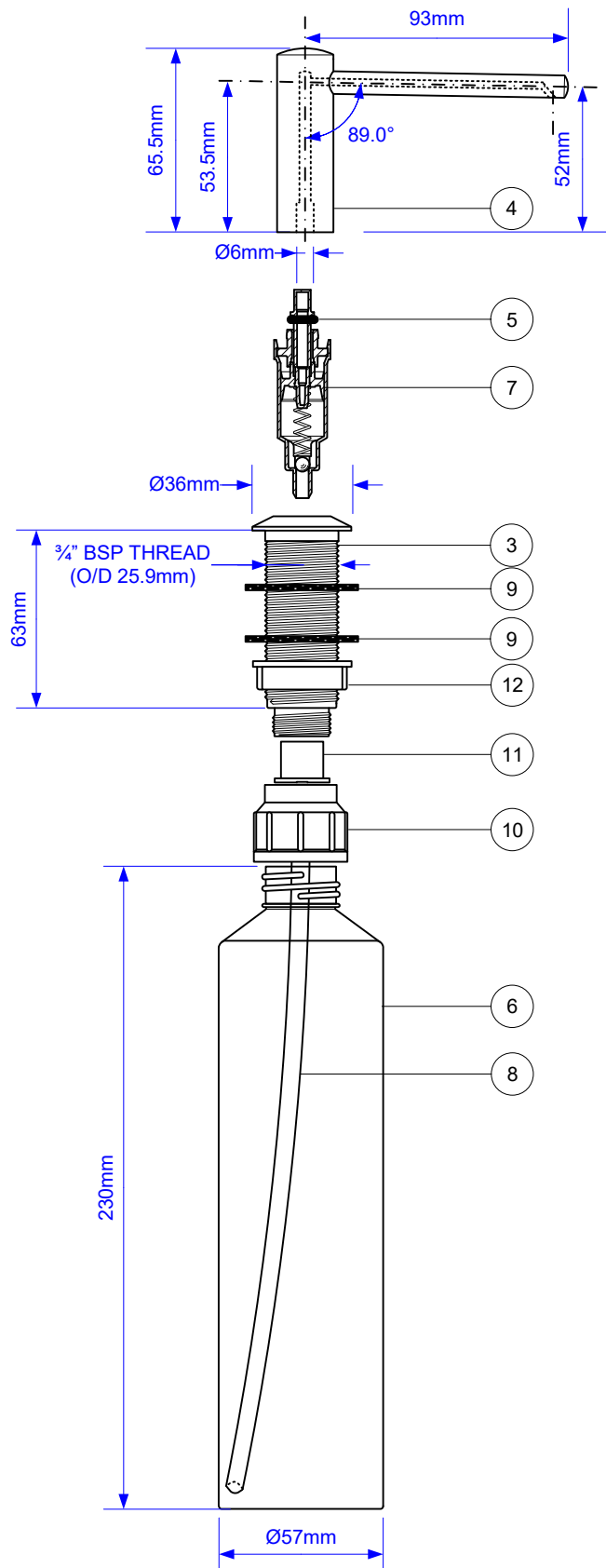


Code:

SOAP-CPB-EXTSP



Part No.	Code	Material
1	L-SOAP-COM	Leaflet
2	P-C-SOAP1-NB	Carton
3	P-CPB-INTRABODY	CP Brass
4	P-CPB-SOAPTOPL	CP Brass
5	P-OR-006.00-2.50	Nitrile
6	P-SOAPBOTTLE	Polyethylene
7	P-SOAPPUMP	Polyethylene, Stainless Steel, Nitrile
8	P-SOAPTUBE-230	Polyethylene
9	P-SPW-SOAPJUV	Polyethylene
10	SOAP-NUT-GR	Polypropylene
11	SOAP-SPACER	Polyethylene
12	SOAPNUT-JUVEL	Polypropylene

©McALPINE
24/04/2013

Drawing verified
correct as of:

23/10/2020
RM

DRAWN BY

RM

REVISED

15/06/2010, 24/04/2013
01/11/2019, 23/10/2020

FILENAME

SOAP-CPB-EXTSP.VSD

DATE

23/10/2020

SCALE

1: 2.5