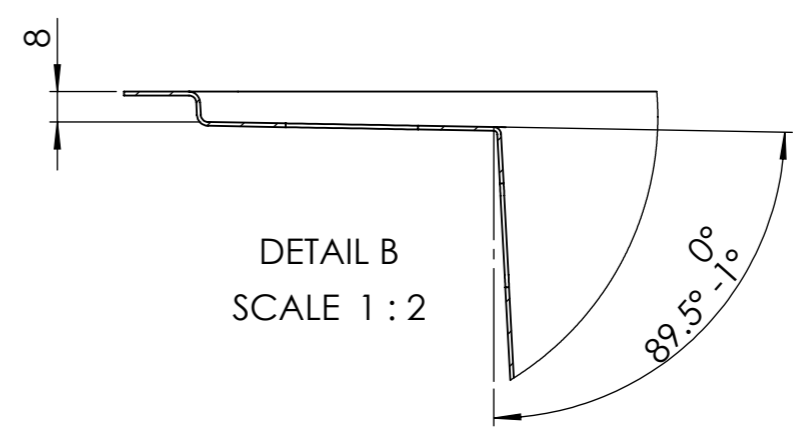
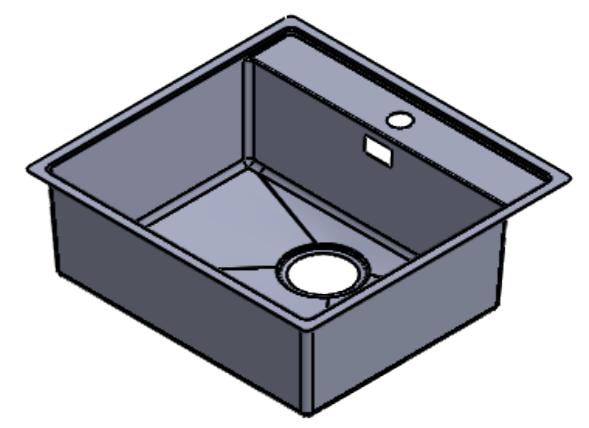
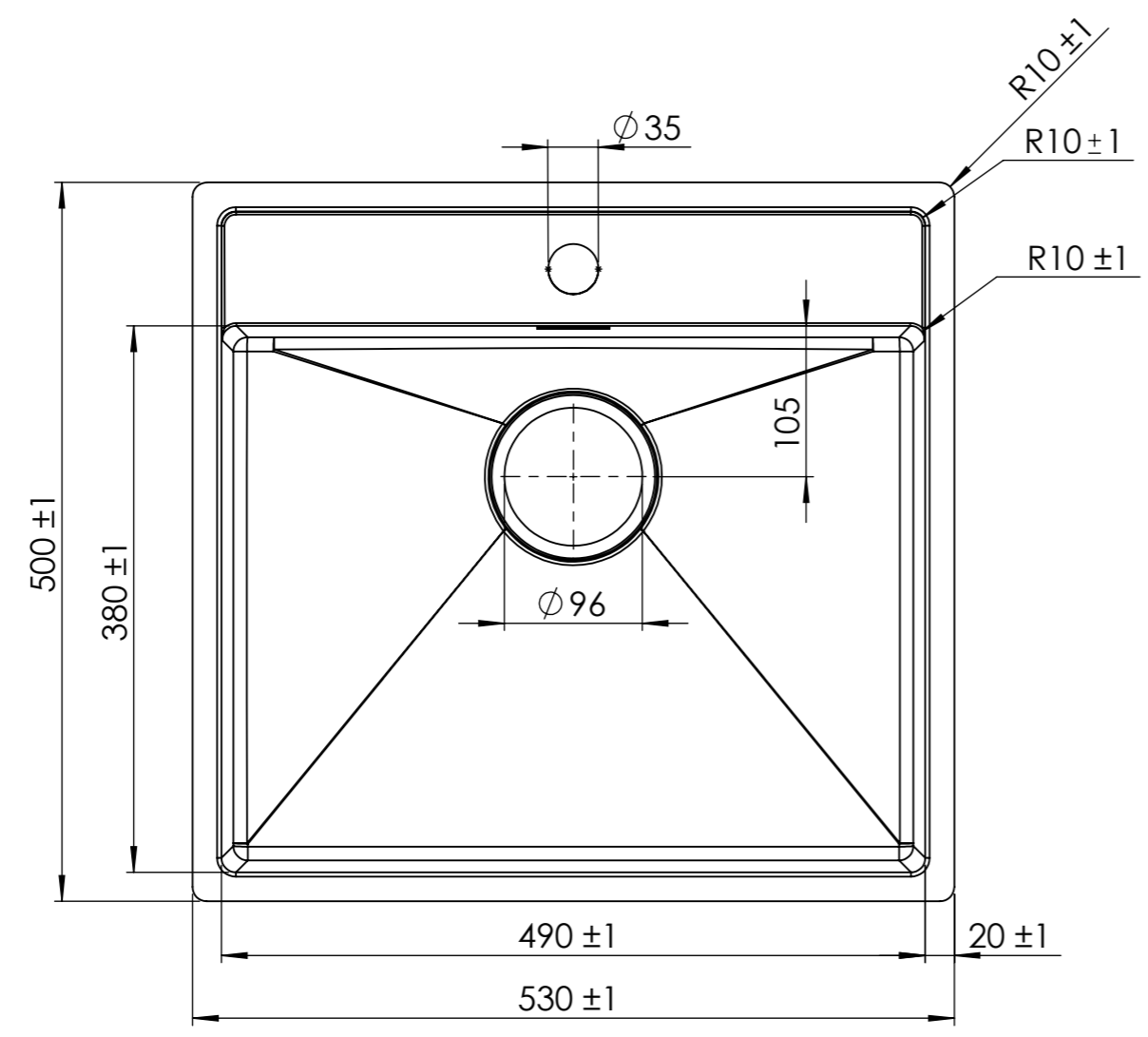


SECTION A-A



DETAIL B  
SCALE 1 : 2



Toleranse EN 22768		Dato 151216		Godkj. --	Målestokk 1 : 5	<b>intra</b>	THIS DRAWING AND DESIGN IS THE PROPERTY OF INTRA AND MUST NOT BE IMPARTED TO ANY THIRD PART WITHOUT PERMISSION.	Erst. av --
File --	CAD-Drawing ⊕-▷	Henviſning --		Sign. --				Erst. for --
Kjøkkenvask Square sink 530x500x180 mm Sink 50-53-18						Tegn.Nr <b>31400</b>		Rev. -