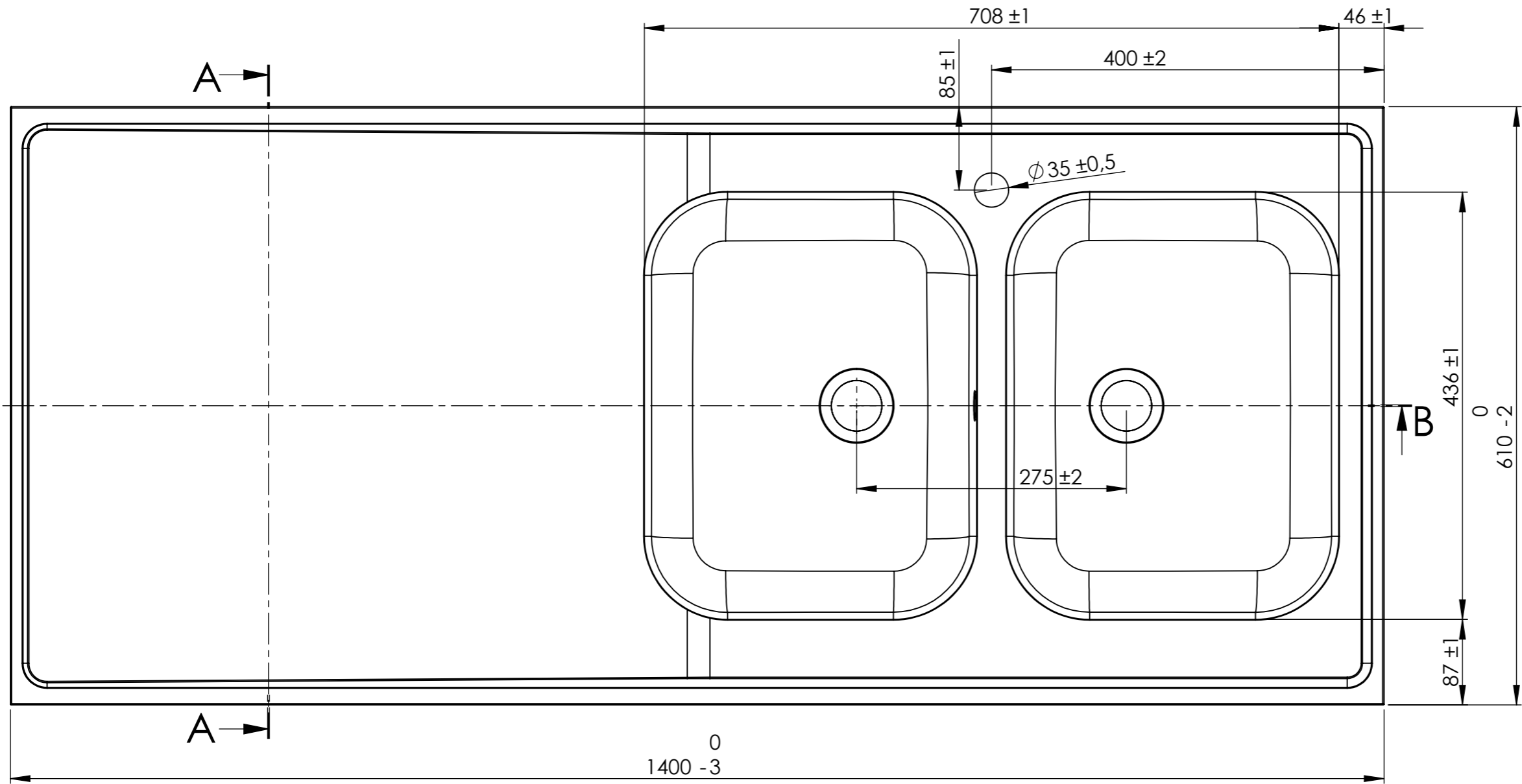
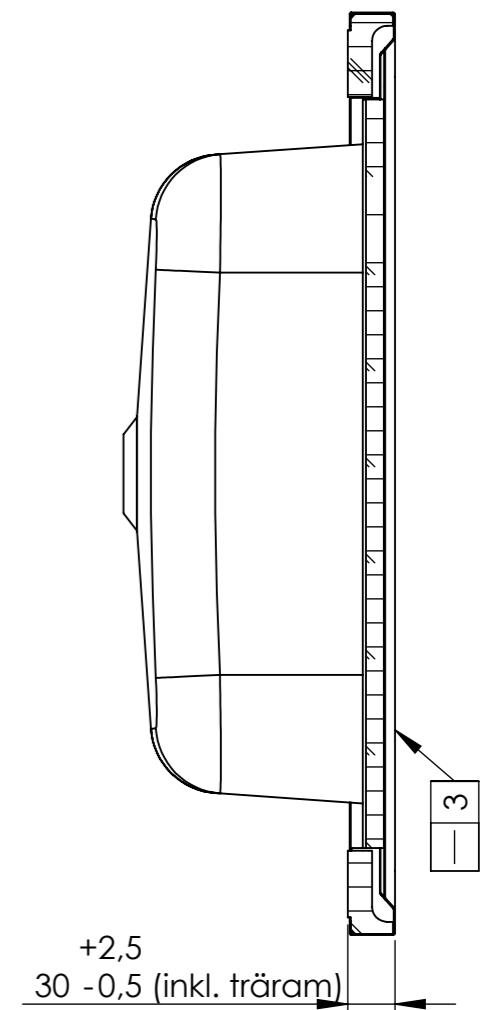


B-B



(Right model shown)

Atlantic H16-610



A-A

15058-10