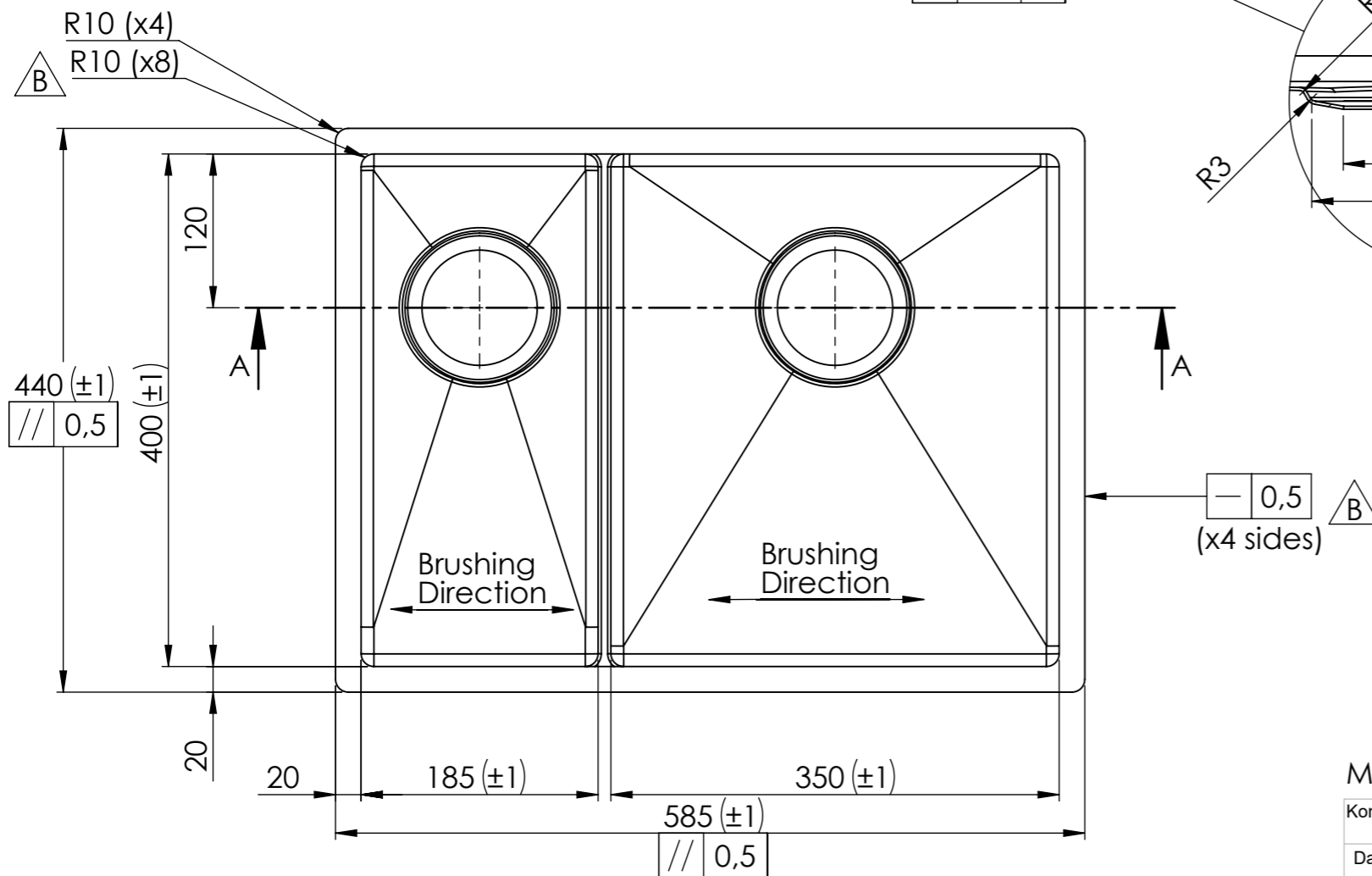
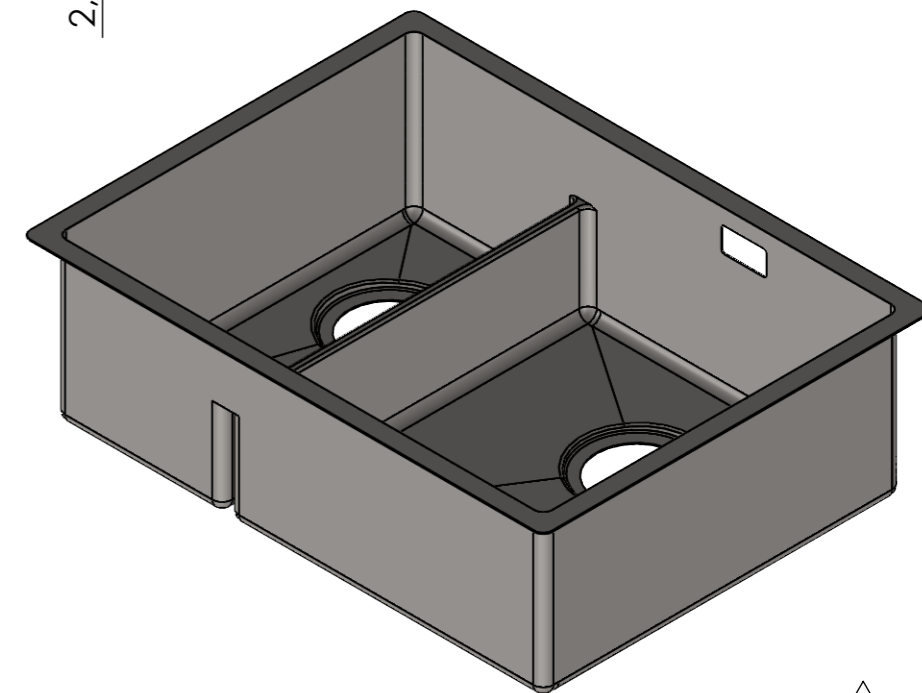
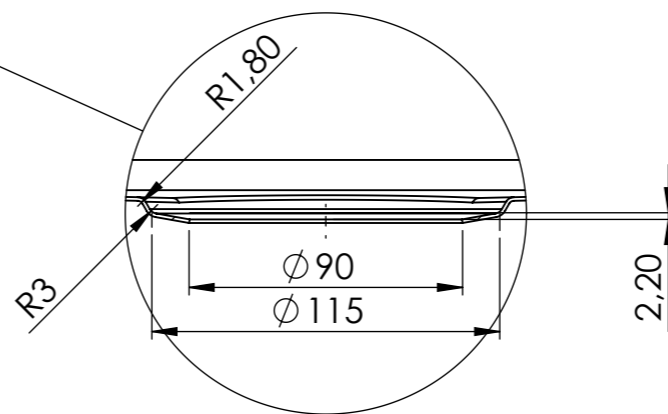
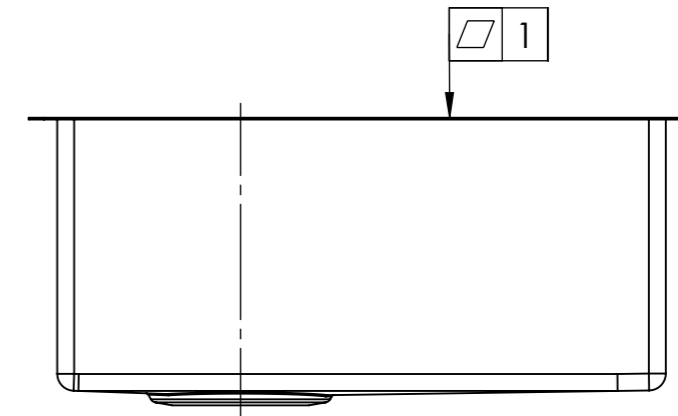
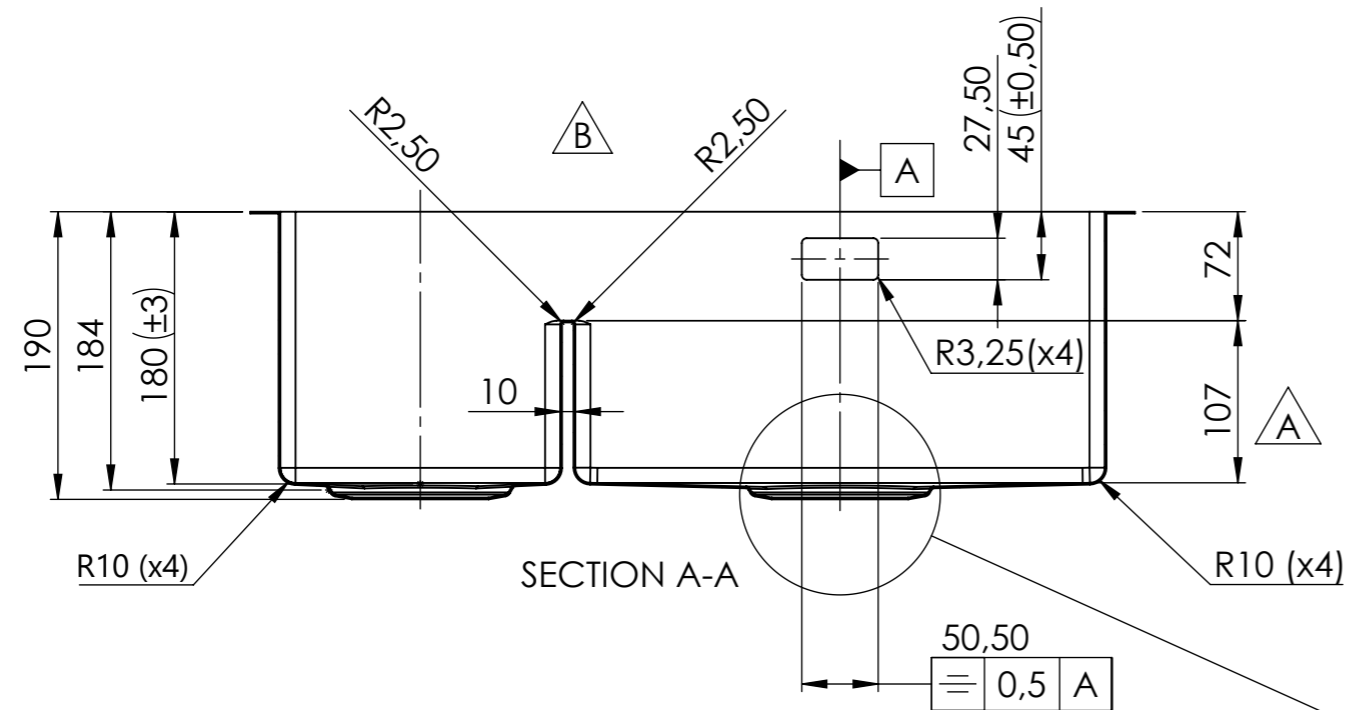



REVISIONS			
REV.	DESCRIPTION	DATE	APPROVED
A	Dimension of middlewall changed	2020-08-28	LC
B	General tolerances removed, R10 added, (R2.5) added, straightness tolerance 1 -> (0,5) to match with production drawing.	2023-04-24	LC



Material: Stainless steel 304 1,2 mm

Konstr.	LC	Ritad	LC	Godk.	FR	Smst nr.	Ers.	
Dat.	2020-04-01	Skala	1:5	BALTIC 585 SHR-LWT Art.number: ZBALTIC585SHR-LWT		Ritn.nr	15756	

intra
SCANDINAVIAN DESIGN