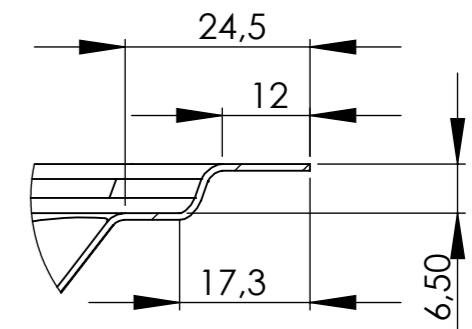
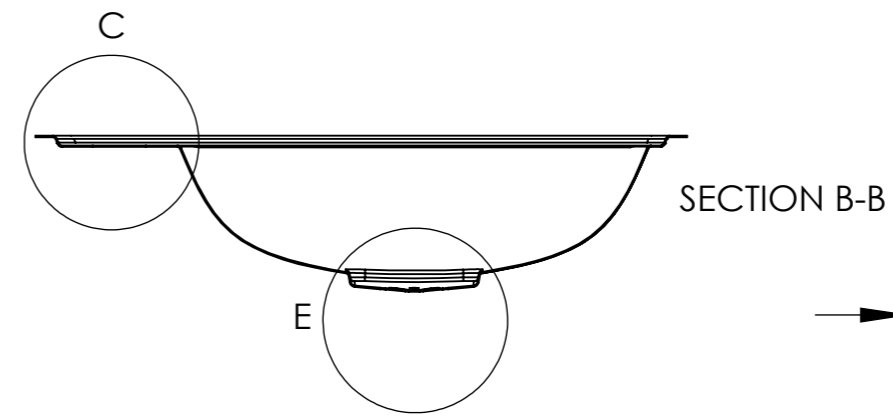
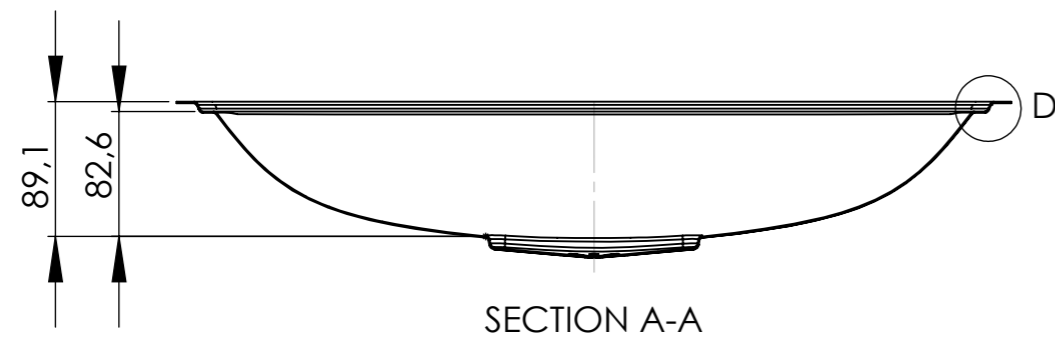
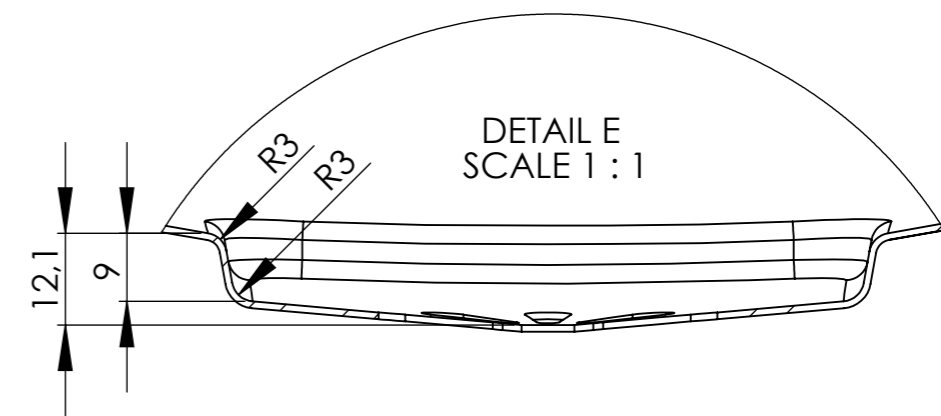


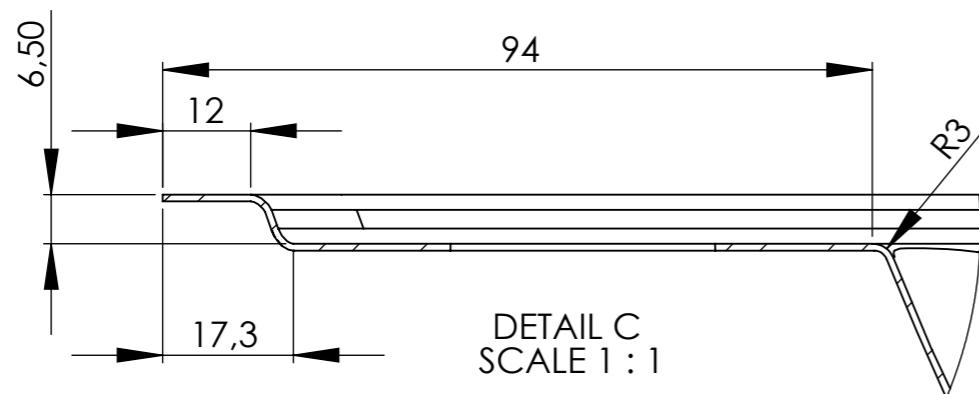
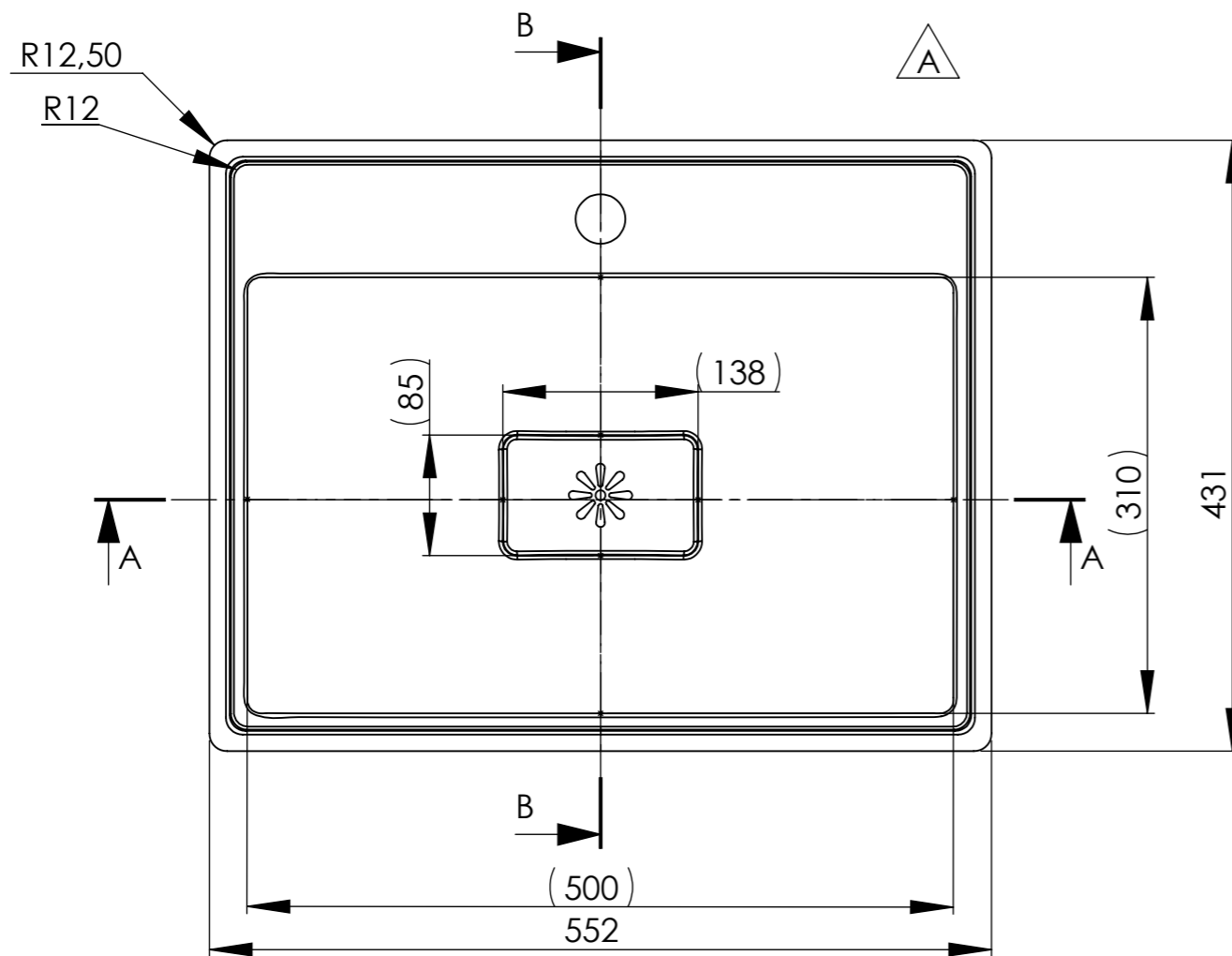
REVISIONS				
ZONE	REV.	DESCRIPTION	DATE	APPROVED
E5	A	Overflow removed.	2021-11-01	LC



DETAIL D
SCALE 1 : 1



DETAIL E
SCALE 1 : 1



DETAIL C
SCALE 1 : 1

For correct geometrical shape see 3D-model

Variations: IC1-22 Normal polished w/overflow
IC1-32 Satin finish w/overflow

Material: Stainless steel AISI 304 0,9mm BA

Konstr. GaCa	Ritad GaCa	Godk.	Smst nr.	Ers.	Tolerans där ej annat angivits: ISO 2768 m	
Dat. 2018-06-12	Skala 1:5		IC3 IC3 Bowl - 22/32 ICON		Ritn.nr 15634-1	Ändr. A
intra SCANDINAVIAN DESIGN						