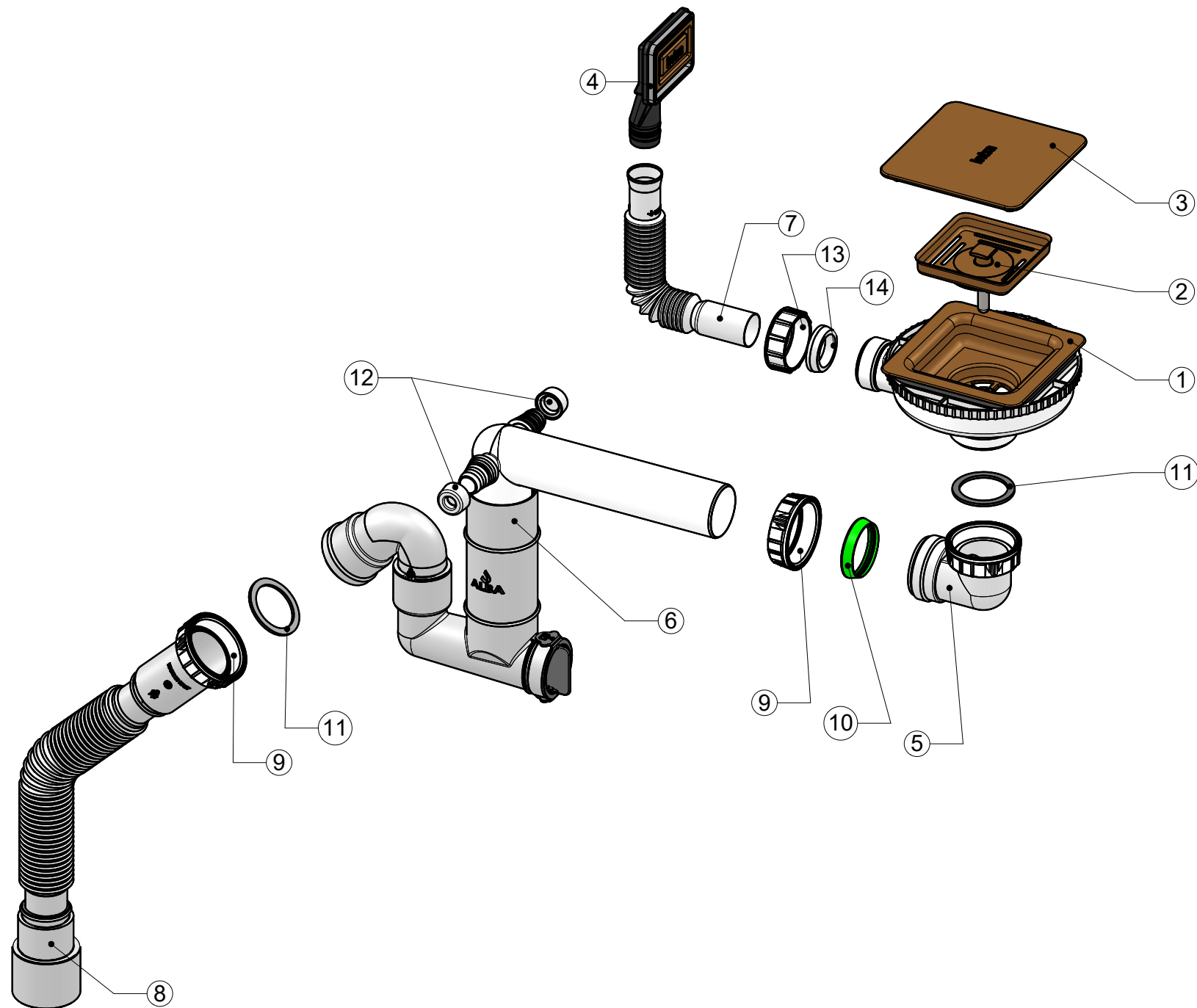


ALBA S.r.l.
15/06/2023
ac



Bill of materials							
Pos.	Drawing	Code	Q.tà	Denomination	Material	Colour	Treatment
1	07481	AB0CA0851R	1	Assembled waste fitting open S7000 PVD Copper			
2	00868	AB0CA0852R	1	Manual strainer basket "QUADRA" PVD Copper			
3	04859	AB0013061R	1	QUADRA cover PVD Copper INTRA			
4	06215	AB0CA1370R	1	Overflow "AFILO" 2.0 PVD Copper INTRA			
5	08832	AB0CA1079R	1	L fitting with nut 1-1/2" basket bowl connection		White	
6	10638	AB0CA1418R	1	Preassembled MODÚ siphon 1 way			
7	09021	AB0AQ0592R	1	Stretchable for overflow L.155-320	PP	White	
8	06462	AB0ST0264R	1	Extensible pipe 1-1/2" DN40-DN50			
9	00005	AB0ST0068R	2	Open nut G 1-1/2"	PP	White	
10	00064	AB0ST0092R	1	Conical washer DN40 plastic	PE LD GR70	Green	
11	00133	AB0AQ0115R	2	Flat gasket 1-1/2" DN40 sp.2	PVC 70Sh	Grey	
12	00348	AB0AQ0211R	2	Stopper for washing-machine pipe	PVC 70Sh	White	
13	00027	AB0ST0071R	1	Nut G 1-1/8" DN30	PP	White	
14	00065	AB0AQ0076R	1	Conical washer DN21 for flex pipe	PVC 70Sh	White	
15	PVP999 999	PVP999999	1	Assembling instructions			
16	00895	FITP00004	1	Plastic bag	PE LD		
17	00886	AB0ZZ4499R	1	Label	Label		

	Drawn	Date	Signature	Customer code
	Approved	15/06/2023	CESARENI	90101380
	Waste fitting 1W manual 90101380 INTRA PVD COP			Commercial code
				90101380
				Drawing No
				PVA002585
				Code
				PVA002585
				Revision
				00