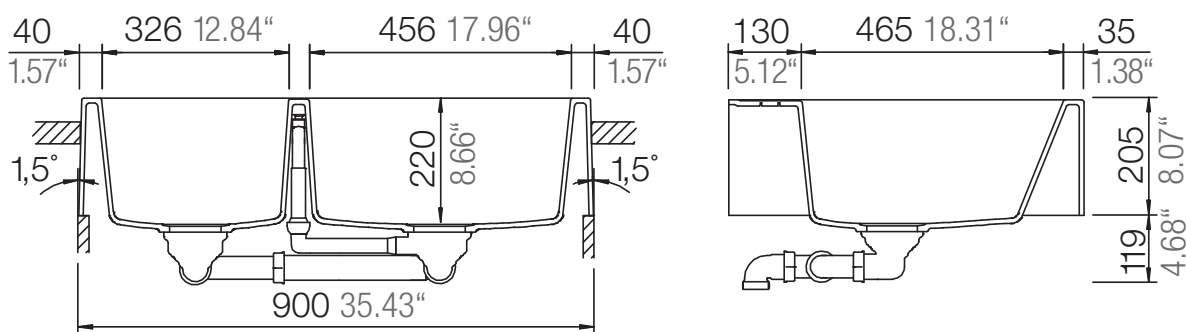
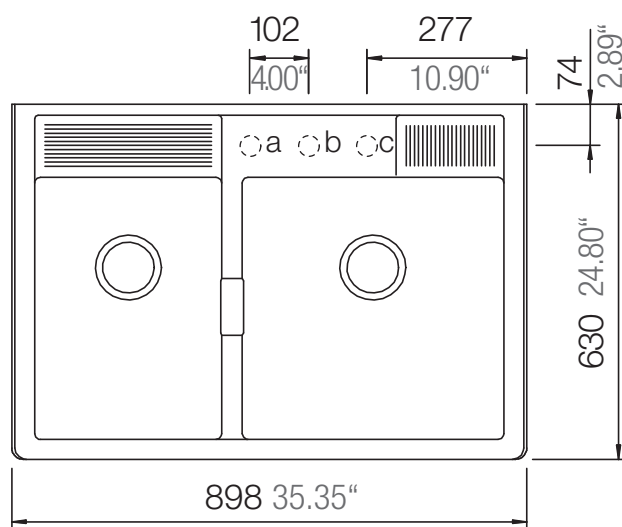


# KALLIO M-175



## Installation

Please plan the worktop 5mm longer on both sides because the sink is tapered.

